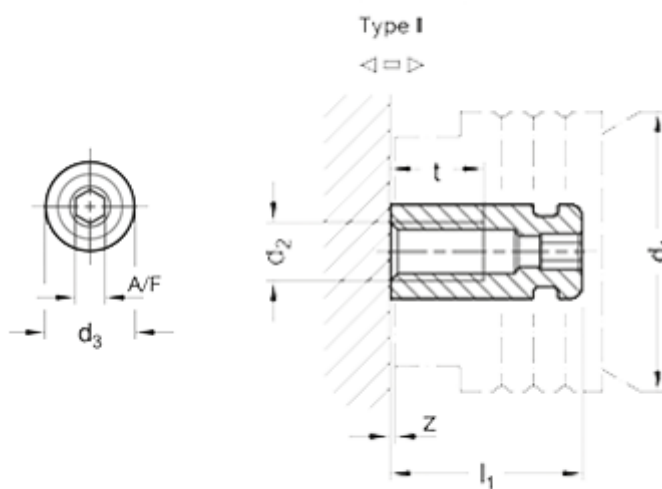


Article number: 20105012M10IST

Description: E+G GN 1050.1-2-M10-I-ST studs for,
GN 1050 and GN 1050.1

Measures



AF = 6

d1 = 53

d2 = M 10

d3 = 18.25

g = 60

l1 = 37.1

NS = 2

tmin = 18

z = 0.4